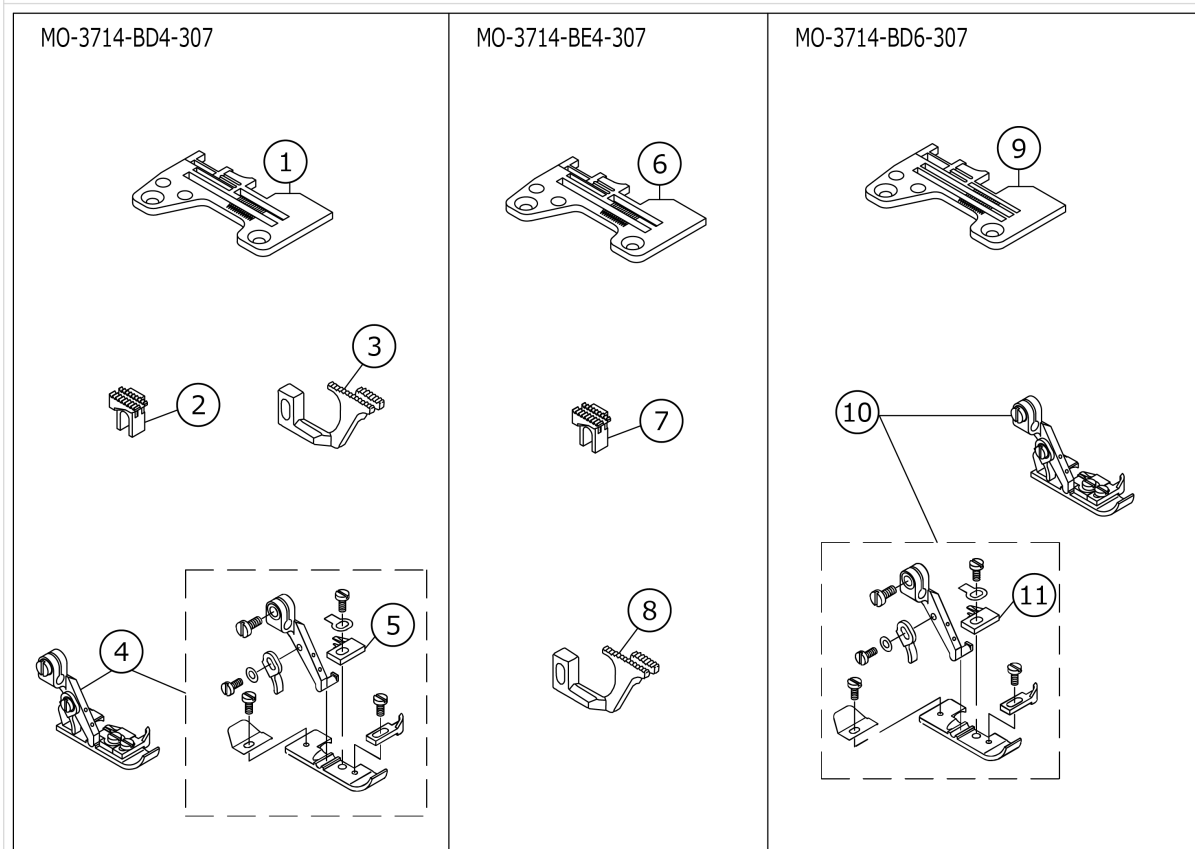


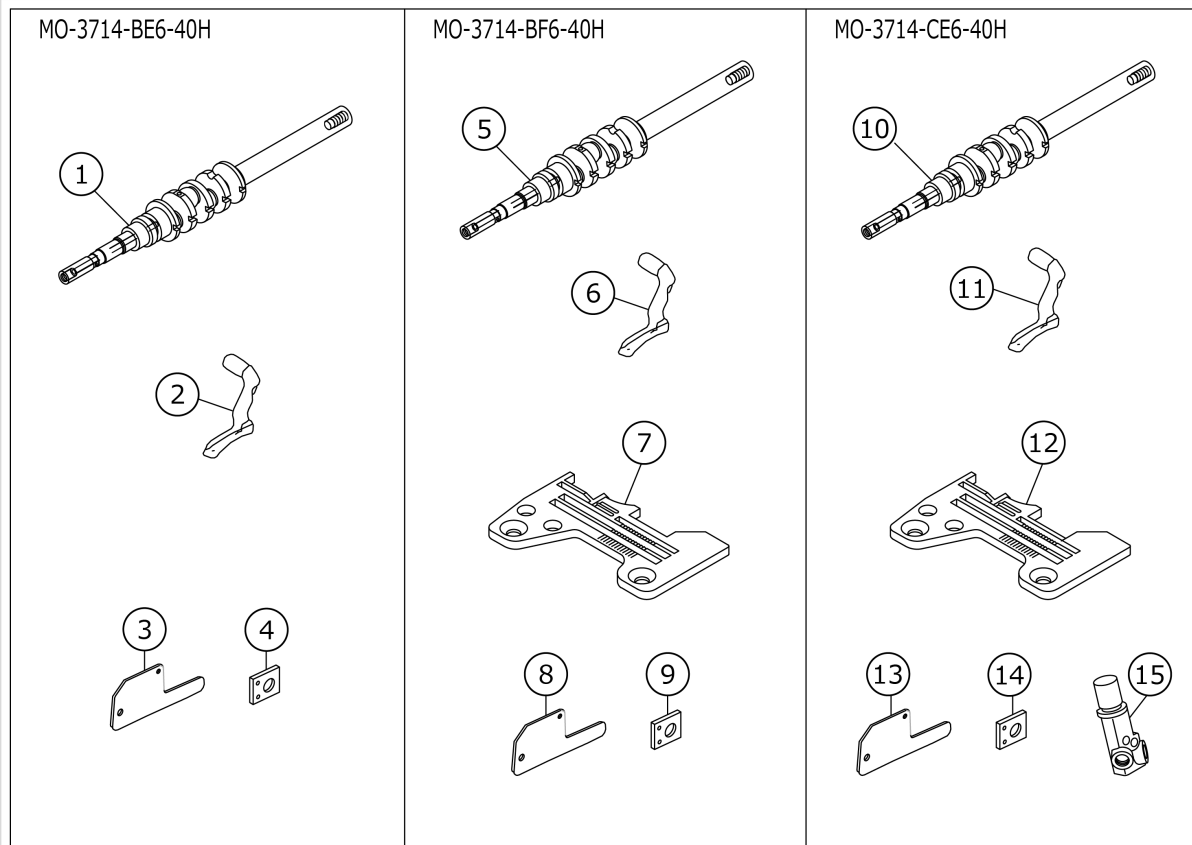
MO-3700 SUBCLASSES 3712/3714

MO-3700 SUBCLASSES (1)



No.	品番	品名	備考	子部品	消耗品	個数
1	R4205J0DE00	THROAT PLATE				1.00
2	11597101	MAIN FEED DOG				1.00
3	B1657814B0E	DIFFERENTIAL FEED DOG				1.00
4	12152559	PRESSER FOOT COMPL.	FOR DOMESTIC USE			1.00
5	12160107	STITCH TONGUE		*		1.00
6	R4205J0EE00	THROAT PLATE				1.00
7	11597101	MAIN FEED DOG				1.00
8	B1657814B0E	DIFFERENTIAL FEED DOG				1.00
9	R4305J0DE00	THROAT PLATE				1.00
10	12152559	PRESSER FOOT COMPL.	FOR DOMESTIC USE			1.00
11	12160107	STITCH TONGUE		*		1.00

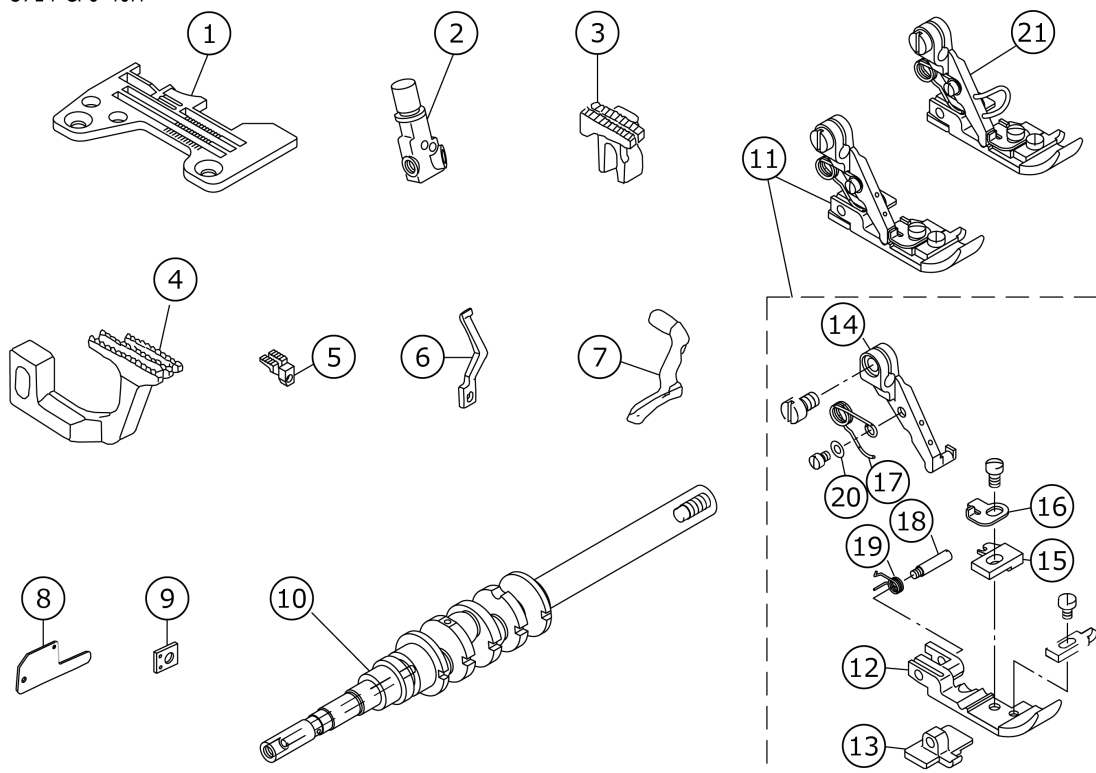
MO-3700 SUBCLASSES (2)



No.	品番	品名	備考	子部品	消耗品	個数
1	12107207	CRANKSHAFT				1.00
2	12176103	UPPER LOOPER				1.00
3	11991601	UPPER LOOPER GUIDE COVER				1.00
4	11991809	GAUGE				1.00
5	12107207	CRANKSHAFT				1.00
6	12176103	UPPER LOOPER				1.00
7	R4305J0FE00	THROAT PLATE				1.00
8	11991601	UPPER LOOPER GUIDE COVER				1.00
9	11991809	GAUGE				1.00
10	12107207	CRANKSHAFT				1.00
11	12176103	UPPER LOOPER				1.00
12	R4306J0EE00	THROAT PLATE				1.00
13	11991601	UPPER LOOPER GUIDE COVER				1.00
14	11991809	GAUGE				1.00
15	12149209	NEEDLE CLAMP, 2-NEEDLE				1.00

MO-3700 SUBCLASSES (3)

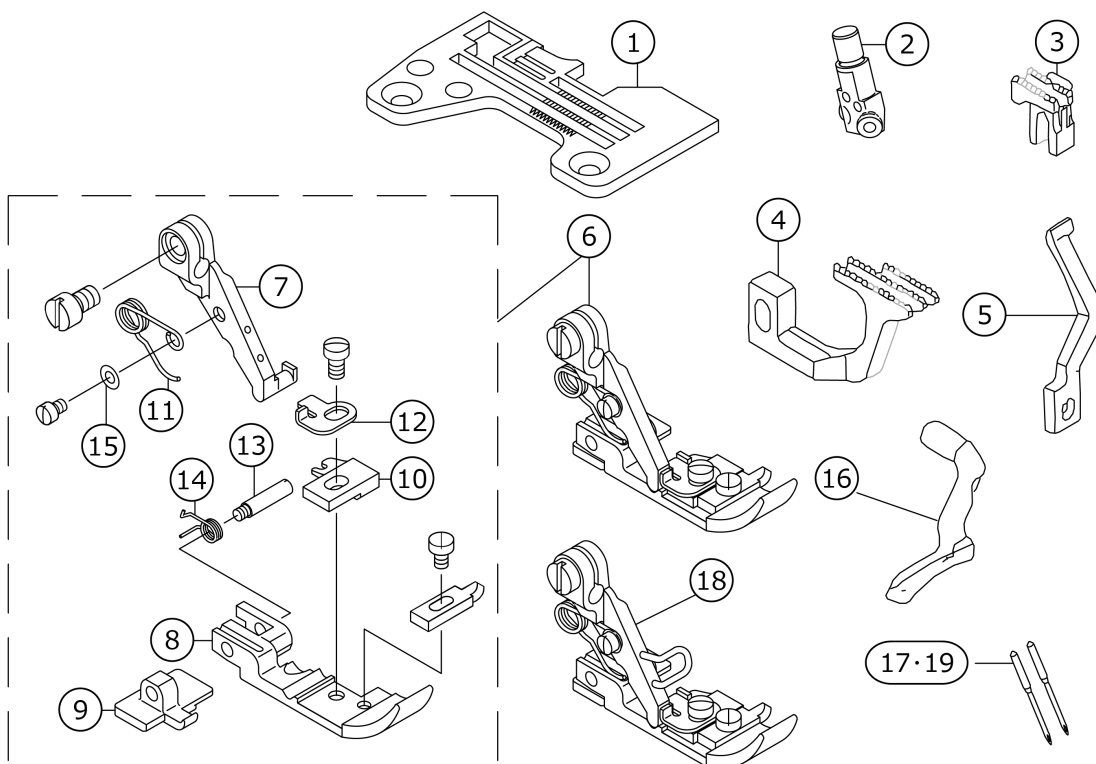
MO-3714-CF6-40H



No.	品番	品名	備考	子部品	消耗品	個数
1	R4306J0FE00	THROAT PLATE				1.00
2	12149308	NEEDLE CLAMP, 2-NEEDLE				1.00
3	11882503	MAIN FEED DOG				1.00
4	11790706	DIFFERENTIAL FEED DOG				1.00
5	11887205	AUXILIARY FEED DOG				1.00
6	11890407	NEEDLE GUARD				1.00
7	12176103	UPPER LOOPER				1.00
8	11991601	UPPER LOOPER GUIDE COVER				1.00
9	11991809	GAUGE				1.00
10	12107207	CRANKSHAFT				1.00
11	11984457	PRESSER ASM.				1.00
12	11983806	CLOTH PRESSER		*		1.00
13	11983905	REAR PRESSER FOOT		*		1.00
14	11984002	PRESSER HINGE		*		1.00
15	11874401	STITCH TONGUE		*		1.00
16	11984101	SPRING		*		1.00
17	11984200	PRESSER SPRING		*		1.00
18	11930807	HINGE PIN		*		1.00
19	11931706	SPRING		*		1.00
20	WP0371026SD	WASHER 3.7X7X1		*		1.00
21	11984465	PRESSER FOOT ASM.	FOR EXPORT			1.00

MO-3700 SUBCLASSES (4)

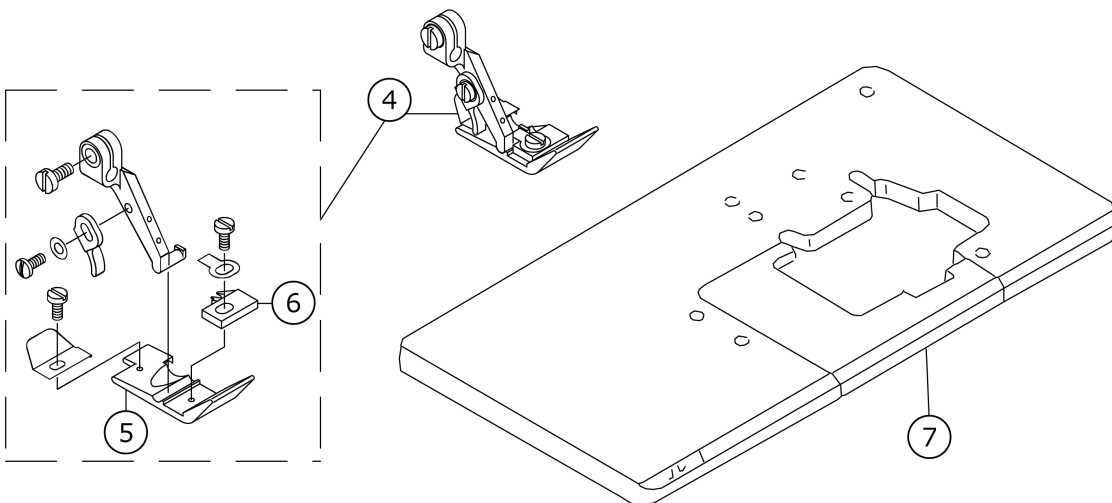
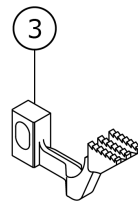
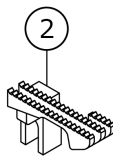
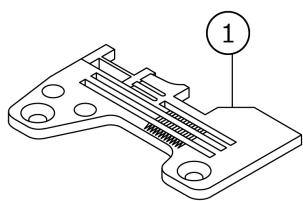
MO-3712-DF6-507



No.	品番	品名	備考	子部品	消耗品	個数
1	R4308J0FE0A	THROAT PLATE				1.00
2	12149407	NEEDLE CLAMP, 2-NEEDLE				1.00
3	11984309	MAIN FEED DOG				1.00
4	11980604	DIFFERENTIAL FEED DOG				1.00
5	11890407	NEEDLE GUARD				1.00
6	11983855	PRESSER ASM.				1.00
7	11984002	PRESSER HINGE		*		1.00
8	11983806	CLOTH PRESSER		*		1.00
9	11983905	REAR PRESSER FOOT		*		1.00
10	11790607	STITCH TONGUE		*		1.00
11	11984200	PRESSER SPRING		*		1.00
12	11984101	SPRING		*		1.00
13	11930807	HINGE PIN		*		1.00
14	11931706	SPRING		*		1.00
15	WP0371026SD	WASHER 3.7X7X1		*		1.00
16	12176103	UPPER LOOPER				1.00
17	MC033600900	NEEDLE B-27 90	FOR JE			2.00
18	11983863	PRESSER FOOT ASM	FOR EXPORT			1.00
19	MDC270B1400	NEEDLE DCX27 #14				2.00

MO-3700 SUBCLASSES (5)

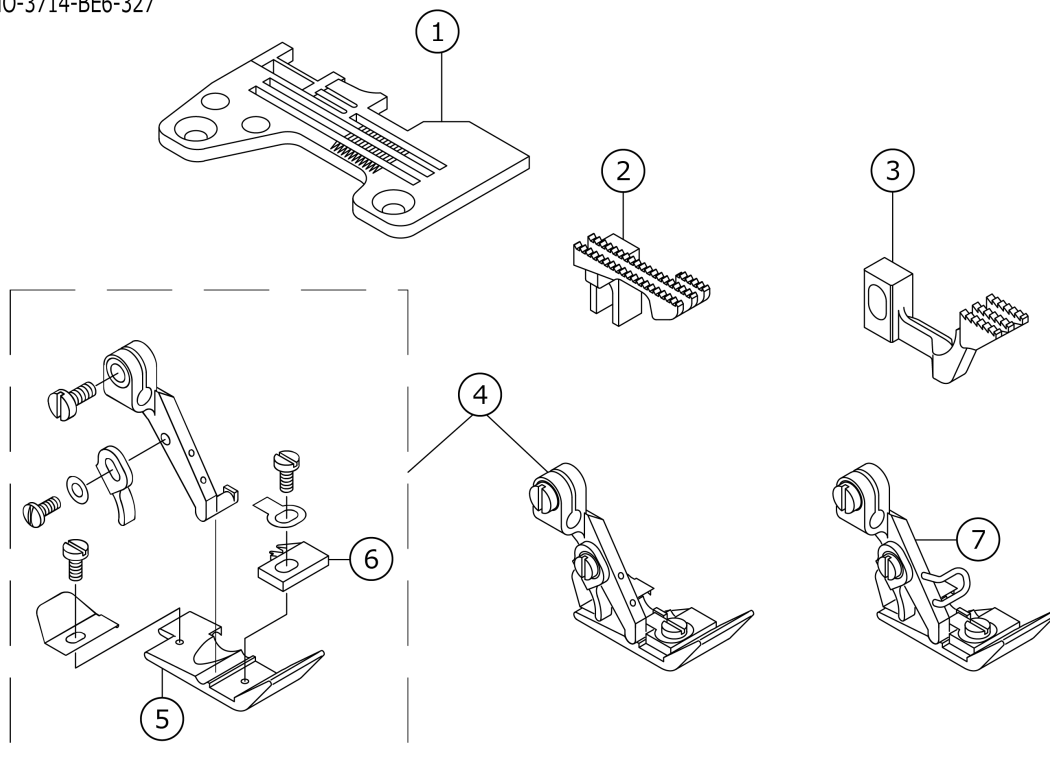
MO-3714-BE6-327



No.	品番	品名	備考	子部品	消耗品	個数
1	R4305J0EE0A	THROAT PLATE				1.00
2	11883402	MAIN FEED DOG				1.00
3	12171807	DIFFERENTIAL FEED DOG				1.00
4	11879350	PRESSER FOOT ASM.				1.00
5	11974102	PRESSER FOOT		*		1.00
6	B150981400P	STITCH TONGUE		*		1.00
7	11959954	TABLE B ASM.(FULLY SUNKEN TYPE				1.00

MO-3700 SUBCLASSES (6)

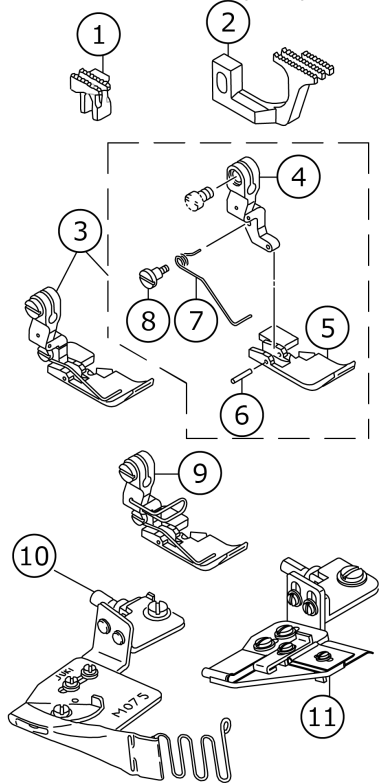
MO-3714-BE6-327



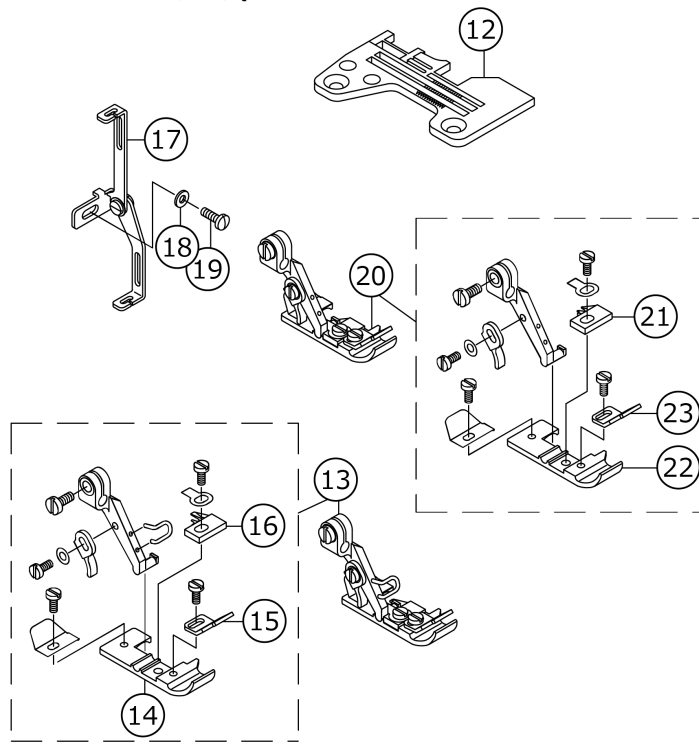
No.	品番	品名	備考	子部品	消耗品	個数
1	R4305J0EE0A	THROAT PLATE				1.00
2	11883402	MAIN FEED DOG				1.00
3	12171807	DIFFERENTIAL FEED DOG				1.00
4	11879350	PRESSER FOOT ASM.				1.00
5	11974102	PRESSER FOOT		*		1.00
6	B150981400P	STITCH TONGUE		*		1.00
7	11879368	PRESSER FOOT ASM.	FOR EXPORT			1.00

MO-3700 SUBCLASSES (7)

MO-3714-BE6-337/M075(M076)



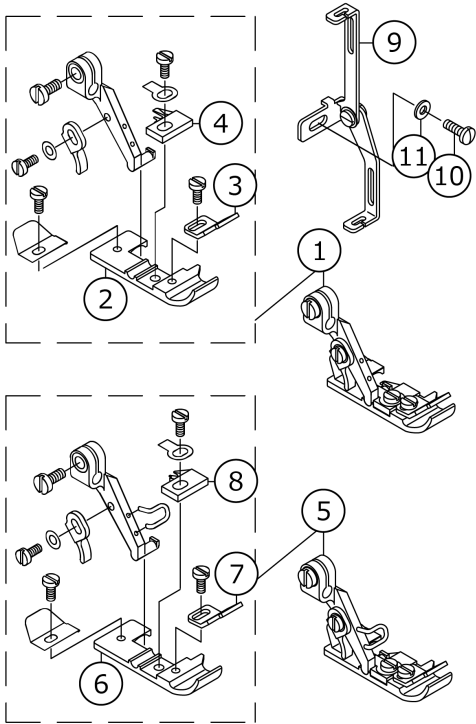
MO-3714-BD6-347/G38/Q141,
MO-3714E-BD6-347/G38/Q141



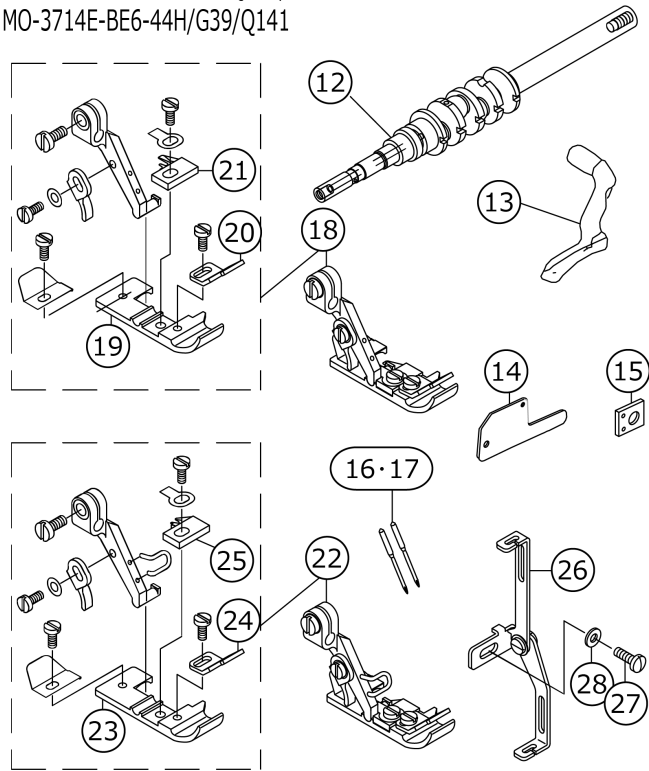
No.	品番	品名	備考	子部品	消耗品	個数
1	11882404	MAIN FEED DOG				1.00
2	11793304	DIFFERENTIAL FEED DOG				1.00
3	11879053	PRESSER FOOT ASM.				1.00
4	11872405	PRESSER FOOT HINGE		*		1.00
5	B1507814B0D	PRESSER FOOT		*		1.00
6	11892106	PRESSER SPRING		*		1.00
7	B1511357000	PIN		*		1.00
8	SD0370401SP	HINGE SCREW D= 3.70 H= 4.0		*		1.00
9	11879061	PRESSER FOOT ASM.	FOR EXPORT (G39)			1.00
10	MAM0750J0A0	PIPING FOLDER ASM. 9MM				1.00
11	MAM0760N0A0	PIPING GUIDE ASM. 8-13MM	SPECIAL ORDER PART			1.00
12	R4305J0DE00	THROAT PLATE				1.00
13	12152856	PRESSER FOOT ASM.	FOR DOMESTIC USE (G38)			1.00
14	12158002	PRESSER FOOT		*		1.00
15	12160909	TAPE GUIDE		*		1.00
16	12160206	STITCH TONGUE		*		1.00
17	MAQ141000A0	TAPE GUIDE ASM.				1.00
18	SS7091110TP	SCREW 9/64-40 L=10.5				1.00
19	WP0371016SD	WASHER 3.7X8X1				1.00
20	12152963	PRESSER FOOT ASM.	FOR EXPORT (G39)			1.00
21	12160305	STITCH TONGUE		*		1.00
22	12158002	PRESSER FOOT		*		1.00
23	12160909	TAPE GUIDE		*		1.00

MO-3700 SUBCLASSES (8)

MO-3714-BE6-347/G38/Q141,
MO-3714E-BE6-347/G39/Q141



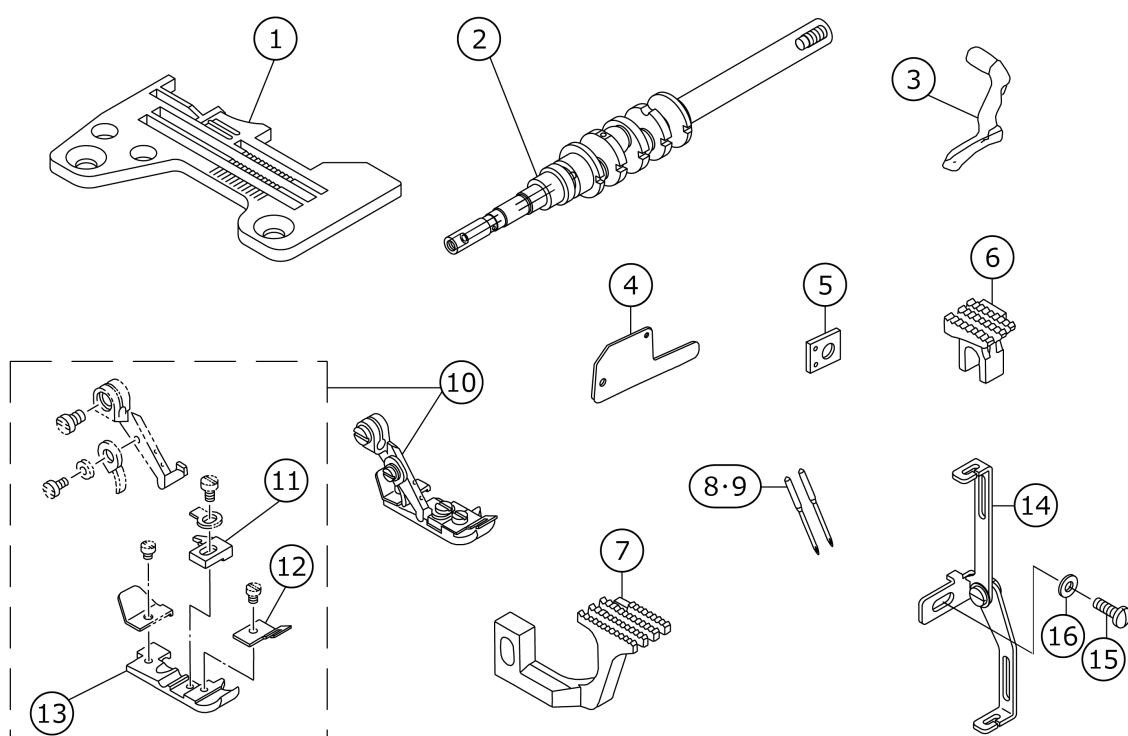
MO-3714-BE6-44H/G38/Q141,
MO-3714E-BE6-44H/G39/Q141



No.	品番	品名	備考	子部品	消耗品	個数
1	12152856	PRESSER FOOT ASM.	FOR DOMESTIC USE (G38)			1.00
2	12158002	PRESSER FOOT		*		1.00
3	12160909	TAPE GUIDE		*		1.00
4	12160206	STITCH TONGUE		*		1.00
5	12152963	PRESSER FOOT ASM.	FOR EXPORT (G39)			1.00
6	12158002	PRESSER FOOT		*		1.00
7	12160909	TAPE GUIDE		*		1.00
8	12160305	STITCH TONGUE		*		1.00
9	MAQ141000A0	TAPE GUIDE ASM.				1.00
10	SS7091110TP	SCREW 9/64-40 L=10.5				1.00
11	WP0371016SD	WASHER 3.7X8X1				1.00
12	12107207	CRANKSHAFT				1.00
13	12176103	UPPER LOOPER				1.00
14	11991601	UPPER LOOPER GUIDE COVER				1.00
15	11991809	GAUGE				1.00
16	MDC270B1400	NEEDLE DCX27 #14				2.00
17	MC033600900	NEEDLE B-27 90	FOR JE			2.00
18	12152856	PRESSER FOOT ASM.	FOR DOMESTIC USE (G38)			1.00
19	12158002	PRESSER FOOT		*		1.00
20	12160909	TAPE GUIDE		*		1.00
21	12160206	STITCH TONGUE		*		1.00
22	12152963	PRESSER FOOT ASM.	FOR EXPORT (G39)			1.00
23	12158002	PRESSER FOOT		*		1.00
24	12160909	TAPE GUIDE		*		1.00
25	12160305	STITCH TONGUE		*		1.00
26	MAQ141000A0	TAPE GUIDE ASM.				1.00
27	SS7091110TP	SCREW 9/64-40 L=10.5				1.00
28	WP0371016SD	WASHER 3.7X8X1				1.00

MO-3700 SUBCLASSES (9)

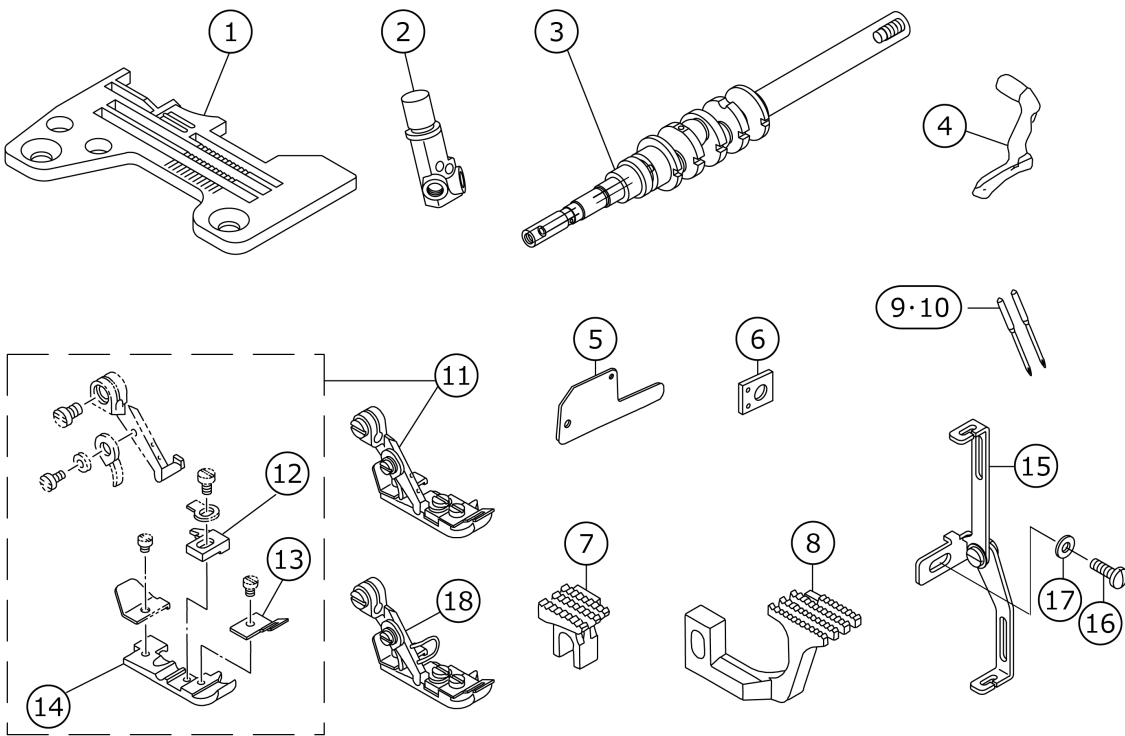
MO-3714-BE7-44H/G02/Q141



No.	品番	品名	備考	子部品	消耗品	個数
1	R4405J0EE00	THROAT PLATE				1.00
2	12107207	CRANKSHAFT				1.00
3	12176103	UPPER LOOPER				1.00
4	11991601	UPPER LOOPER GUIDE COVER				1.00
5	11991809	GAUGE				1.00
6	11883501	MAIN FEED DOG				1.00
7	B1657814B0F	DIFFERENTIAL FEED DOG				1.00
8	MDC270B1400	NEEDLE DCX27 #14				2.00
9	MC033600900	NEEDLE B-27 90	FOR JE			2.00
10	11879251	PRESSER FOOT ASM.				1.00
11	B1509814B0B	STITCH TONGUE		*		1.00
12	B1531814000	TAPE GUIDE PLATE		*		1.00
13	B1507814B0B	PRESSER FOOT		*		1.00
14	MAQ141000A0	TAPE GUIDE ASM.				1.00
15	SS7091110TP	SCREW 9/64-40 L=10.5				1.00
16	WP0371016SD	WASHER 3.7X8X1				1.00

MO-3700 SUBCLASSES (10)

MO-3714-CE7-44H/G02/Q141



No.	品番	品名	備考	子部品	消耗品	個数
1	R4406J0EE00	THROAT PLATE				1.00
2	12149209	NEEDLE CLAMP, 2-NEEDLE				1.00
3	12107207	CRANKSHAFT				1.00
4	12176103	UPPER LOOPER				1.00
5	11991601	UPPER LOOPER GUIDE COVER				1.00
6	11991809	GAUGE				1.00
7	11883501	MAIN FEED DOG				1.00
8	B1657814B0F	DIFFERENTIAL FEED DOG				1.00
9	MDC270B1400	NEEDLE DCX27 #14				2.00
10	MC033600900	NEEDLE B-27 90	FOR JE			2.00
11	11879251	PRESSER FOOT ASM.				1.00
12	B1509814B0B	STITCH TONGUE		*		1.00
13	B1531814000	TAPE GUIDE PLATE		*		1.00
14	B1507814B0B	PRESSER FOOT		*		1.00
15	MAQ141000A0	TAPE GUIDE ASM.				1.00
16	SS7091110TP	SCREW 9/64-40 L=10.5				1.00
17	WP0371016SD	WASHER 3.7X8X1				1.00
18	11879269	PRESSER FOOT ASM.	FOR EXPORT			1.00

HOW TO MAKE USE OF THIS PARTS LIST

1.As to "#01" and "#02" refer to the "Note" given at the bottom of the respective pages.

2.Codes on the "Qty" column

- Each numeral indicates the number of parts required.
- "0.1" and "2.5" indicate the length (in meters) of the respective parts.

3.Parentheses mean that the corresponding part is a subpart that constructs an assembly part.

4.Dotted lines on the Figures indicate assembly parts.

1. リストページの# 0 1、# 0 2の印は、ページ下の"注記"の説明を参照下さい。
2. 数量欄の数字は、個数を表し、0. 1、2. 5等の数値は、長さ（単位メートル）を表します。
3. 数量欄の（ ）は、組部品を構成している子部品であることを意味します。
4. イラストページの-----枠は、組構成であることを意味します。